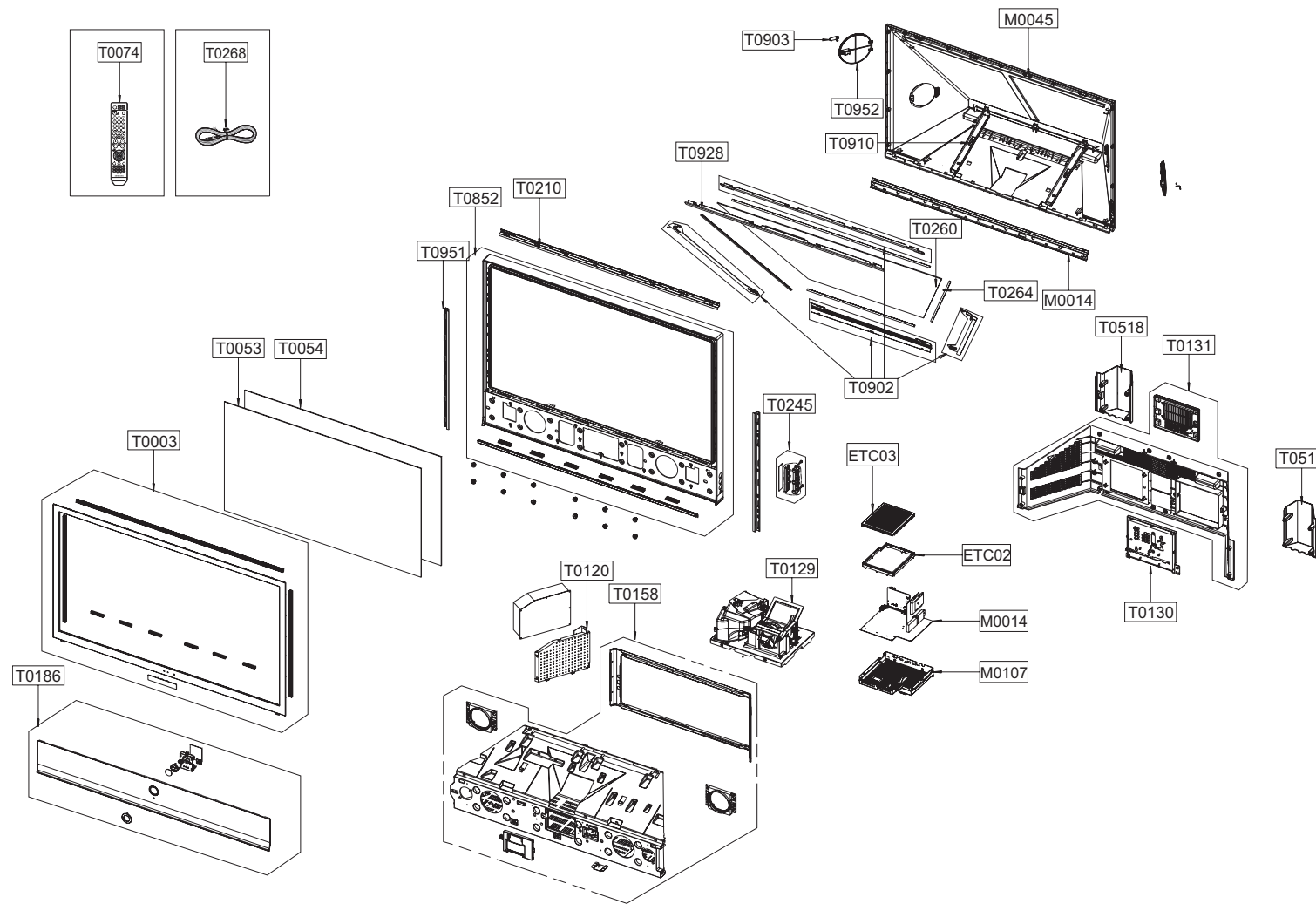


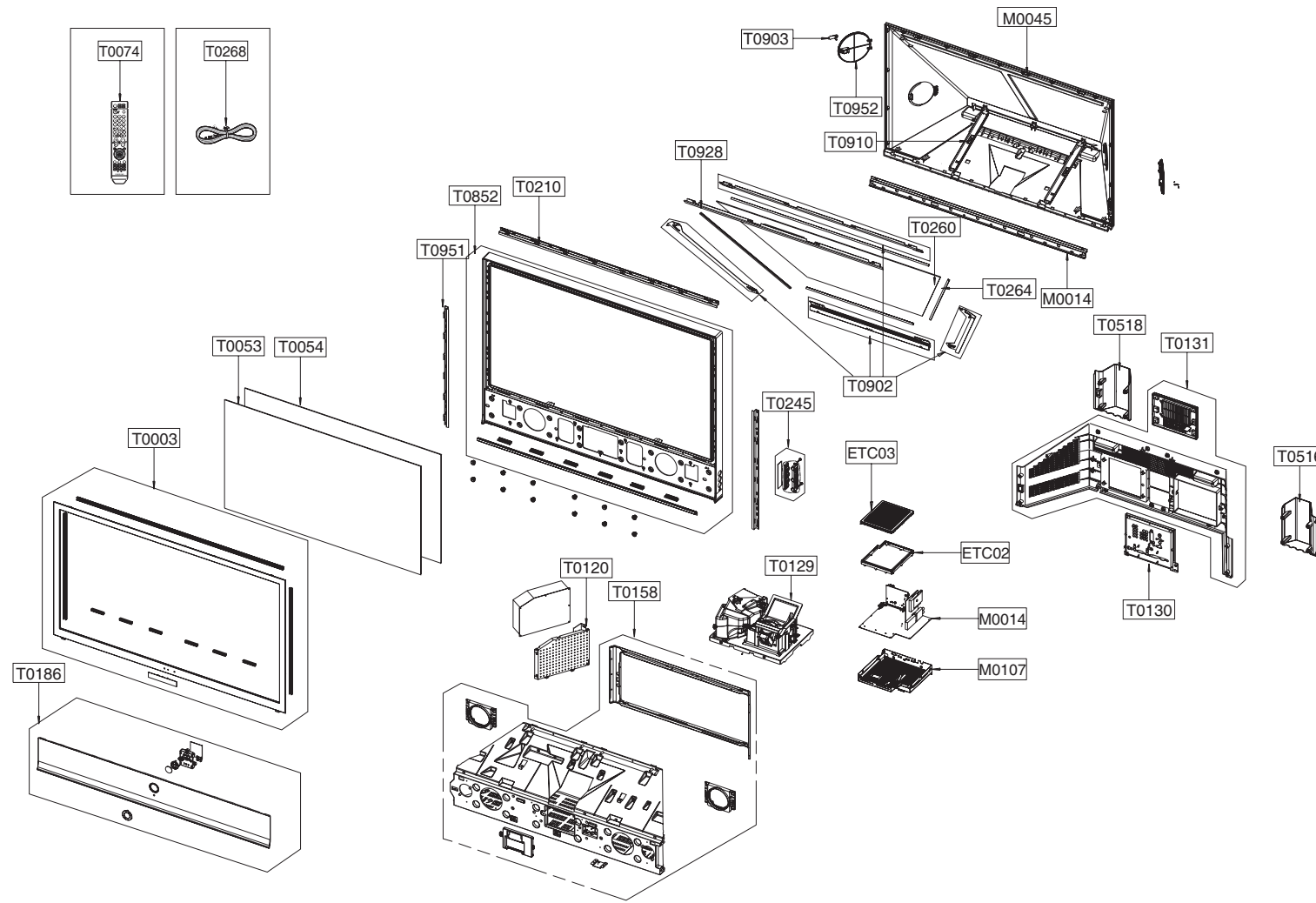
4. Exploded View & Part List

4-1 PT61DL34X/SMS



Loc.No.	Code No.	Description	Specification	Q'ty	SA/SNA	Remark
ETC02	BP96-01571A	ASSY SHIELD P-BOTTOM	K2,Einstein,SPTE,T0	1	S.N.A	
ETC03	BP63-00645A	SHIELD-CASE, TOP	NOBEL, SPTE, T0.5, TOP	1	S.N.A	
M0014	BP61-00574A	BRACKET-BACK TOP	61L3,AL6063 EXTR,T2.0,B	1	S.N.A	
M0014	BP94-02262D	ASSY PCB MAIN	PT50DL24X/SMS,L64D,EINSTEI	1	S.A	
M0045	BP64-00399A	CABINET BACK-TOP	61L3,HIPS,HB,GRAY	1	S.A	
M0107	BP61-01180A	BRACKET-PCB	NOBEL,SECC,T1.0	1	S.N.A	
T0003	BP96-00586K	ASSY COVER P-FRONT	61L3,AKAI(Einstein),H	1	S.A	
T0053	BP67-00112A	SCREEN FRESNEL	61W,-,NTR,1381*790,1.5T,-	1	S.A	
T0054	BP67-00156A	SCREEN LENTI	61W,MS,NTR,1381*790,2.1T,-,	1	S.A	
T0074	BP59-00116B	REMOCON	Einstein, TM87B,samsung 28p,54,31	1	S.A	
T0120	BP94-02261E	ASSY PCB POWER	PT50DL24X/SMS,L64D,AKAI (1	S.A	
T0129	BP96-01633L	ASSY ENGINE P-DLP	61L3(AKAI),K220,Sypro,	1	S.A	
T0130	BP96-01423D	ASSY COVER P-TERMINAL BOARD	Einstein(SEA)	1	S.N.A	
T0158	BP96-00533C	ASSY COVER P-MAIN	L3 ALL,HIPS,V0,GR503	1	S.A	
T0186	BP96-00588B	ASSY COVER P-GRILLE	61L3,SEA,HIPS HB,GR5	1	S.N.A	
T0210	BP61-00575A	BRACKET-SCREEN TOP	61L3,AL6063 EXTR,T1.5	1	S.N.A	
T0245	BP94-02140D	ASSY PCB MISC-KEY CONTROL	HLP5063W,L62B,	1	S.A	
T0260	BP67-00098A	MIRROR	FRONT MIRROR 61",GLASS,34.85MM,13	1	S.A	
T0264	BP60-00032M	SPACER-MIRROR	56L3,EVA,620,T1.0,28	4	S.N.A	
T0268	3903-000144	CBF-POWER CORD	DT,US,BP3/Y,U(IEC C13-RA)	1	S.A	
T0516	BP61-00568A	HOLDER-BACK RIGHT	61L3,HIPS V0,GRAY	1	S.N.A	
T0518	BP61-00567A	HOLDER-BACK LEFT	61L3,HIPS V0,GRAY	1	S.N.A	
T0852	BP96-00584B	ASSY COVER P-MIDDLE	61L3,HIPS,HB,GR503,S	1	S.A	
T0902	BP96-00590A	ASSY MISC P-BRKT MIRROR	61L3,SECC	1	S.N.A	
T0903	BP61-00528A	HOLDER-DUST	50L3,HIPS HB,GRAY	2	S.N.A	
T0909	BP96-00568G	ASSY COVER P-BACK BOT	61L3,HIPS,V0,GR503	1	S.N.A	
T0910	BP61-00840A	BRACKET-REAR TOP	61L3,SECC,T1.6	2	S.N.A	
T0928	BP61-00560A	BRACKET-MIRROR, TOP(T)	56L3,AL6063 EXTR,T	1	S.N.A	
T0951	BP61-00577A	BRACKET-SCREEN SIDE	61L3,AL6063 EXTR,T1.	2	S.N.A	
T0952	BP63-00294B	COVER DUST-ASSY	L6,HIPS,HB,GRAY	2	S.N.A	

Type X PT61DL34X/SMS



Loc.No.	Code No.	Description	Specification	Q'ty	SA/SNA	Remark
ETC02	BP96-01571A	ASSY SHIELD P-BOTTOM	K2,Einstein,SPTe,T0	1	S.N.A	
ETC03	BP63-00645A	SHIELD-CASE, TOP	NOBEL,SPTe,T0.5, TOP	1	S.N.A	
M0014	BP61-00574A	BRACKET-BACK TOP	61L3,AL6063 EXTR,T2.0,B	1	S.N.A	
M0014	BP94-02262D	ASSY PCB MAIN	PT50DL24X/SMS,L64D,EINSTEI	1	S.A	
M0045	BP64-00399A	CABINET BACK-TOP	61L3,HIPS,HB,GRAY	1	S.A	
M0107	BP61-01180A	BRACKET-PCB	NOBEL,SECC,T1.0	1	S.N.A	
T0003	BP96-00586K	ASSY COVER P-FRONT	61L3,AKAI(Einstein),H	1	S.A	
T0053	BP67-00165A	SCREEN FRESNEL	61W,1381*790,1.5T	1	S.A	
T0054	BP67-00164A	SCREEN LENTI	61W,1381*790,T2.5	1	S.A	
T0074	BP59-00116B	REMOCON	Einstein,TM87B,samsung 28p,54,31	1	S.A	
T0120	BP94-02261E	ASSY PCB POWER	PT50DL24X/SMS,L64D,AKAI (1	S.A	
T0129	BP96-01633L	ASSY ENGINE P-DLP	61L3(AKAI),K220,Sypro,	1	S.A	
T0130	BP96-01423D	ASSY COVER P-TERMINAL BOARD	Einstein(SEA)	1	S.A	
T0158	BP96-00533C	ASSY COVER P-MAIN	L3 ALL,HIPS,V0,GR503	1	S.A	
T0186	BP96-00588B	ASSY COVER P-GRILLE	61L3,SEA,HIPS HB,GR5	1	S.N.A	
T0210	BP61-00575A	BRACKET-SCREEN TOP	61L3,AL6063 EXTR,T1.5	1	S.N.A	
T0245	BP94-02140D	ASSY PCB MISC-KEY CONTROL	HLP5063W,L62B,	1	S.A	
T0260	BP67-00098A	MIRROR	FRONT MIRROR 61",GLASS,34.85MM,13	1	S.A	
T0264	BP60-00032M	SPACER-MIRROR	56L3,EVA,620,T1.0,28	4	S.A	
T0268	3903-000144	CBF-POWER CORD	DT,US,BP3/Y,U(IEC C13-RA)	1	S.A	
T0516	BP61-00568A	HOLDER-BACK RIGHT	61L3,HIPS V0,GRAY	1	S.N.A	
T0518	BP61-00567A	HOLDER-BACK LEFT	61L3,HIPS V0,GRAY	1	S.N.A	
T0852	BP96-00584B	ASSY COVER P-MIDDLE	61L3,HIPS,HB,GR503,S	1	S.A	
T0902	BP96-00590A	ASSY MISC P-BRKT MIRROR	61L3,SECC	1	S.A	
T0903	BP61-00528A	HOLDER-DUST	50L3,HIPS HB,GRAY	2	S.N.A	
T0909	BP96-00568G	ASSY COVER P-BACK BOT	61L3,HIPS,V0,GR503	1	S.A	
T0910	BP61-00840A	BRACKET-REAR TOP	61L3,SECC,T1.6	2	S.N.A	
T0928	BP61-00560A	BRACKET-MIRROR, TOP(T)	56L3,AL6063 EXTR,T	1	S.N.A	
T0951	BP61-00577A	BRACKET-SCREEN SIDE	61L3,AL6063 EXTR,T1.	2	S.N.A	
T0952	BP63-00294B	COVER DUST-ASSY	L6,HIPS,HB,GRAY	2	S.N.A	